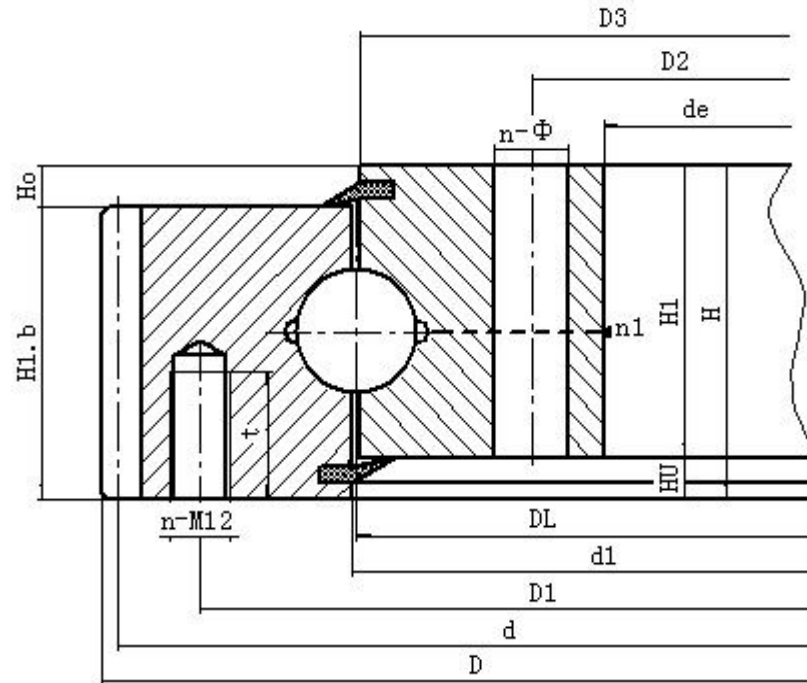


# 轻型系列回转支承(薄型)--外齿式

Light Type Slewing Bearing (Slim type) --External gear type



H-061

型号Model	重量 kg Weight	外形尺寸 Boundary dimension			安装尺寸Mounting Dimensions						结构尺寸Structure dimension						齿轮参数gear parameter					齿轮圆周力 Gear circumferential force		轴承间隙 Bearing clearance	
DL		D	de	H	D1	D2	n	Φ	M	t	D3	d1	H1	H2	Hu	Ho	d	m	z	k. m	b	允许圆周力 Allowable circumferential force	最大允许圆周力 The Max Allowable circumferential force	轴向 axial direction	径向 radial direction
		[mm]	[mm]	[mm]	[mm]	[mm]		[mm]	[mm]		[mm]	[mm]	[mm]	[mm]	[mm]	[mm]	[mm]	[mm]	[mm]	[mm]	[mm]				
H-061.20.0414	31	504	342	56	455	368	20/24	13.5	12	20	412.5	415.5	45.5	45.5	10.5	10.5	495	5	99	-0.5	45.5	11.75	23.5	≤0.28	≤0.24
H-061.20.0544	43	640.8	472	56	585	498	28/32	13.5	12	20	542.5	545.5	45.5	45.5	10.5	10.5	630	6	105	-0.6	45.5	14.2	28.4	≤0.30	≤0.26
H-061.20.0644	52	742.8	572	56	685	598	32/36	13.5	12	20	642.5	645.5	45.5	45.5	10.5	10.5	732	6	122	-0.6	45.5	14.2	28.4	≤0.30	≤0.26
H-061.20.0744	59	838.8	672	56	785	698	36/40	13.5	12	20	742.5	745.5	45.5	45.5	10.5	10.5	828	6	138	-0.6	45.5	14.2	28.4	≤0.30	≤0.26
H-061.20.0844	71	950.4	772	56	885	798	36/40	13.5	12	20	842.5	845.5	45.5	45.5	10.5	10.5	936	8	117	-0.8	45.5	18.93	37.86	≤0.30	≤0.26
H-061.20.0944	77	1046.4	872	56	985	898	40/44	13.5	12	20	942.5	945.5	45.5	45.5	10.5	10.5	1032	8	129	-0.8	45.5	18.93	37.86	≤0.30	≤0.26
H-061.20.1094	91	1198.4	1022	56	1135	1048	44/48	13.5	12	20	1092.5	1095.05	45.5	45.5	10.5	10.5	1184	8	148	-0.8	45.5	18.93	37.86	≤0.30	≤0.26