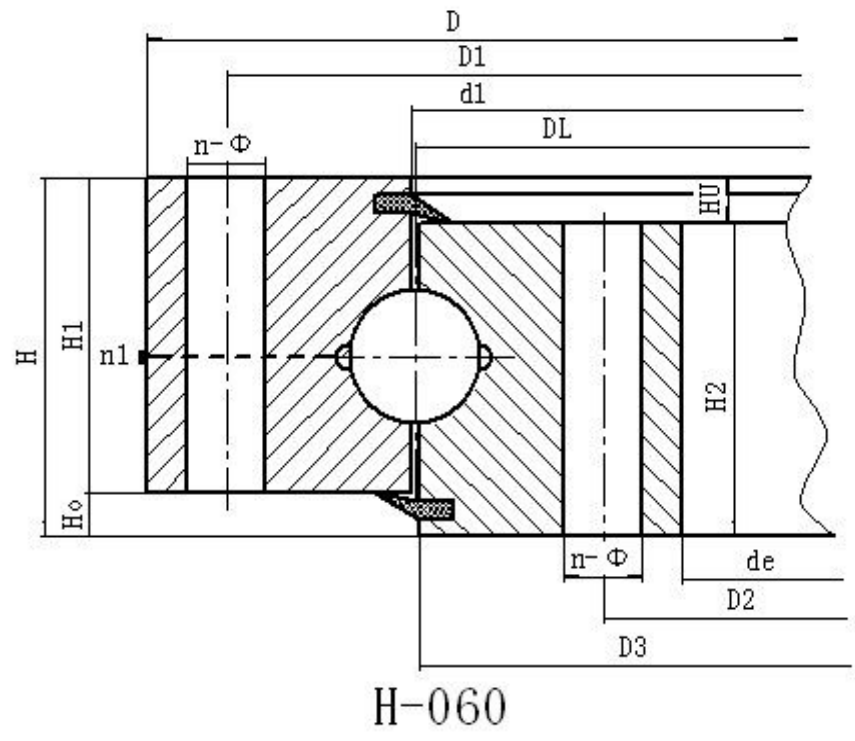


轻型系列回转支承(薄型)--无齿式
Light Type Slewing Bearing (Slim type) --Without gear type



型号 Model	重量 Kg Weight	外形尺寸Boundary dimension			安装尺寸Mounting Dimensions						结构尺寸Structure dimension						轴承间隙 Bearing clearance	
DL		D	de	H	D1	D2	n	Φ	M	t	D3	d1	H1	H2	Hu	Ho	轴向 axial direction	径向 radial direction
		[mm]	[mm]	[mm]	[mm]	[mm]		[mm]	[mm]		[mm]	[mm]	[mm]	[mm]	[mm]	[mm]	[mm]	[mm]
H-060.20.0414	29	486	342	56	460	368	24	13.5	12	-	412.5	415.5	45.5	45.5	10.5	10.5	≤0.28	≤0.24
H-060.20.0544	37	616	472	56	590	498	32	13.5	12	-	542.5	545.5	45.5	45.5	10.5	10.5	≤0.30	≤0.26
H-060.20.0644	44	716	572	56	690	598	36	13.5	12	-	642.5	645.5	45.5	45.5	10.5	10.5	≤0.30	≤0.26
H-060.20.0744	52	816	672	56	790	698	40	13.5	12	-	742.5	745.5	45.5	45.5	10.5	10.5	≤0.30	≤0.26
H-060.20.0844	60	916	772	56	890	798	40	13.5	12	-	842.5	845.5	45.5	45.5	10.5	10.5	≤0.30	≤0.26
H-060.20.0944	67	1016	872	56	990	898	44	13.5	12	-	942.5	945.5	45.5	45.5	10.5	10.5	≤0.30	≤0.26
H-060.20.1094	77	1166	1022	56	1140	1048	48	13.5	12	-	1092.5	1095.5	45.5	45.5	10.5	10.5	≤0.30	≤0.26