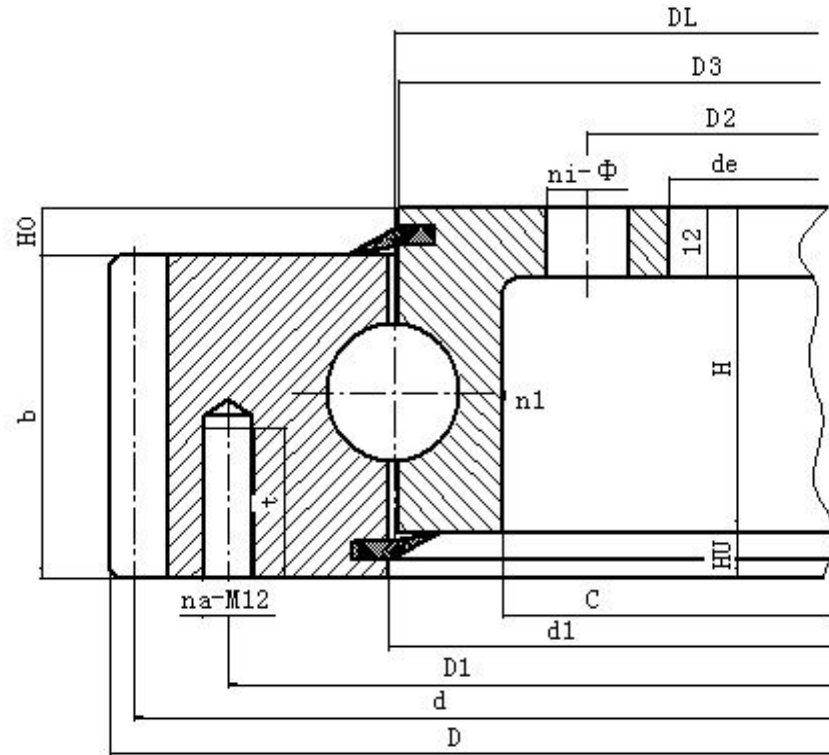


# 轻型系列回转支承(F口)--外齿式

Light Type Slewing Bearing (Flange Form F) --External gear type



HF-231

型号Model	重量 Weight	外形尺寸 Boundary dimension			安装尺寸Mounting Dimensions								结构尺寸Structure dimension				齿轮参数Gear parameter				允许圆周力 Allowable circumferential force	最大允许圆周力The Max Allowable circumferential force	轴承间隙 Bearing clearcance		
	[kg]	D[mm]	De [mm]	H [mm]	D1	D2 [mm]	na	Φ /M [mm]	ni	Φ /M [mm]	t [mm]	n1	D3 [mm]	d1 [mm]	C [mm]	Hu [mm]	D [mm]	m [mm]	Z [mm]	B [mm]	k. m [mm]	[KN]	[KN]	轴向 axial direction	径向 radial direction
					[mm]																	[KN]	[KN]		
HF-231.20.0414	29	504	304	56	455	332	10	M12	24	18	20	4	412.5	415.5	375	10.5	495	5	99	45.5	-0.5	11.75	23.5	≤0.5	≤0.5
HF-231.20.0544	39.2	640.8	434	56	585	462	14	M12	28	18	20	4	542.5	545.5	505	10.5	630	6	105	45.5	-0.5	14.2	28.4	≤0.5	≤0.5
HF-231.20.0644	47.2	742.8	534	56	685	562	16	M12	32	18	20	4	642.5	645.5	605	10.5	732	6	122	45.5	-0.6	14.2	28.4	≤0.5	≤0.5
HF-231.20.0744	53.1	838.8	634	56	785	662	18	M12	32	18	20	4	742.5	745.5	705	10.5	828	6	138	45.5	-0.6	14.2	28.4	≤0.5	≤0.5
HF-231.20.0844	64.7	950.4	734	56	885	762	18	M12	36	18	20	4	842.5	845.5	805	10.5	936	8	117	45.5	-0.8	18.93	37.86	≤0.5	≤0.5
HF-231.20.0944	69.1	1046.4	834	56	985	862	20	M12	40	18	20	4	942.5	945.5	905	10.5	1032	8	129	45.5	-0.8	18.93	37.86	≤0.5	≤0.5
HF-231.20.1094	82.5	1198.4	984	56	1135	1012	22	M12	40	18	20	4	1092.5	1096	1055	10.5	1184	8	148	45.5	-0.8	18.93	37.86	≤0.5	≤0.5