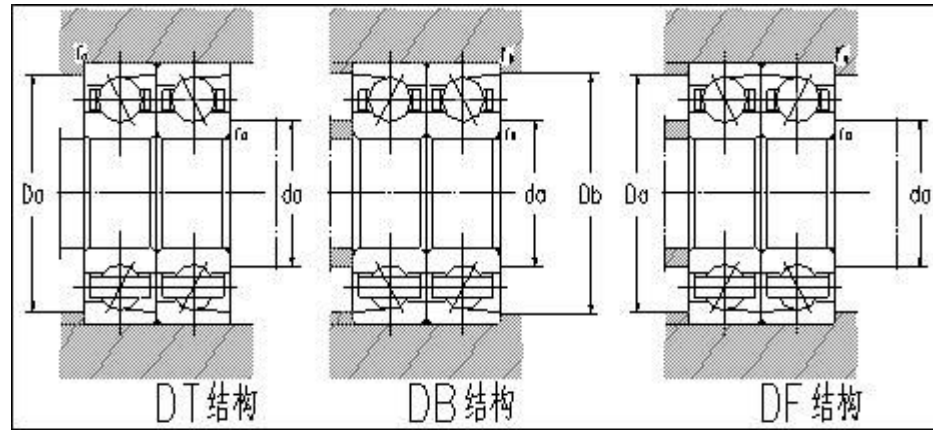
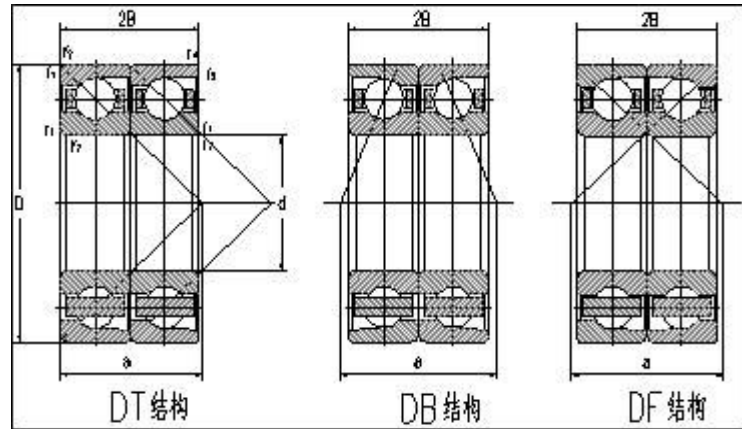


角接触球轴承-配对 Angular contact bearings-pairing



基本尺寸Boundary Dimensions					基本额定负荷 Basic Load Ratings Dynamic Static		极限转速Limiting Speeds		轴承代号 Bearing Designations	作用点a Action spot			安装相关尺寸Mounting Dimensions					重量 Weight
										DB	DF	DT	da(min)	Da(max)	Db(max)	ra(max)	rb(max)	
d	D1	B	r12	r34	Cr	Cor	脂润滑 Grease lubricat ion	油润滑 Oil lubricat ion										
20	47	28	1	0.6	17.2	28.3	9500	14000	760204TN1/P 4DBB	21			25.6	41.4		1	0.6	0.263

25	52	30	1	0.6	17.5	30.5	8500	12000	760205TN1/P 4DBB	24			30.6	46		1	0.6	0.3
25	62	34	1.1	0.6	44	32	7500	10000	7305ACM/DB	27			32	55		1	0.6	0.511
25	62	34	1.1	1	28.5	41.5	7500	10000	760305TN1/P 4DBB	27			32	55		1	0.6	0.542
30	62	32	1	0.3	30	24.5	7300	10000	7206BM/DT			27.3	35.6	56.5		1		0.497
30	62	32	1.1	1	22.9	44	7300	10000	760206TN1/P 4DBB	27			35.6	56.4		1	0.6	0.443
30	62	30	1	0.6	37.5	88	7300	10000	760206X2TN1 /P4DT									0.419
30	62	30	1	0.6	22.9	44	7300	10000	760206X2TN1 /P4DFA									0.419
30	72	38	1.1	0.6	50	39	6700	9000	7306ACM/DB	31			37	65		1	0.6	0.661
35	62	28	1	0.3	31	27.4	13000	19000	7007C/DB	27				57			0.6	0.296
35	72	34	1.1	0.6	48.1	38	6300	8400	7207BTNT/DB	61.9			42		67.5	1	0.6	0.571
35	72	34	1.1	0.6	41.5	34	6300	8400	7207BM/DT			31	42	65		1		0.656
35	72	34	1.1	0.6	48	41	6300	8500	7207CHATN1/ P4DTCX			31	42	65		1	1	0.584
35	80	42	1.5	0.6	63.1	50	11000	18000	7307AC/DBA	47.8			43.5		74.5	1.5	0.6	0.907
35	80	42	1.5	0.6	63.1	50	11000	18000	7307AC/DB	47.8			43.5		74.5	1.5	0.6	0.907
35	80	42	1.5		62.4	49	11000	15000	7307BM/DFYA 3		28.1		43.5		74.5	1.5		1.1
35	80	42	1.5	0.6	62	49	6000	8000	7307BM/DT			35	43.5	71.5		1.5		1.1
40	90	40	1	0.6	77	187	6000	7500	760308X2TN1 /P4ADTA									1.27
40	90	46	1.5	0.6	75	60	5300	7000	7308BM/DB	39			49	81		1.5	1	1.42
40	90	46	1.5	0.6	77	62.3	6700	9000	7308AC/DB	56.5			49	81		1.5	1	1.25
40	90	46	1.5	0.6	76	62	6700	9000	7308ACM/DB	53.5			49	81		1.5	1	1.49
45	85	38	1.1	0.6	56	49	6000	7400	7209BM/DT			36.8	52	78		1		1.97
45	85	38	1.1	0.6	56	49	6000	7400	7209BM/DFCC		35.5		52	78		1		1.97
45	85	38	1.1	0.6	66.5	57.5	5300	7000	7209C/DBA	37			52	78		1	0.6	0.805
45	85	38	1.5	1.1	34.5	74	5300	7000	760209TN1/P 4DBB	37			52	78		1	0.6	0.978
45	100	50	1.5	0.6	108	88	9000	12000	7309ACM/DB	58.8			54		94	1.5	1	2.03

45	100	50	1.5	0.6	97.5	79	9000	12000	7309BM/HADB	85.8			54		94	1.5	1	2.03
45	100	50	1.5	0.6	75	80	9000	12000	7309BT/DB	85.8			54		94	1.5	1	1.83
45	100	50	1.5	0.6	97.5	79	4800	6300	7309BM/DT			43	54	91		1.5		n
45	100	50	1.5	0.6	82.5	79	4800	6300	7309BM/DB	43			54	91		1.5	1	2.02
45	100	50	1.5	0.6	91.3	88	4800	6300	7309ACM/DB	43			54	91		1.5	1	2.02
45	100	50	1.5	0.6	91.3	88	4800	6300	7309AC/DB	58.8			54	91		1.5	1	1.83
45	100	50	1.5	0.6	97.5	79	4800	6300	7309BM/DT			73.3	54	91		1.5	1	2.02
50	80	32	1	1	41.5	46	10000	14000	7010C/DF		1.4				75		0.6	0.489
50	90	40	1.1	0.6	580	53.5	4800	6300	7210BM/DT			39.4	57	83		1		2.35
50	110	54	2	1	117	98	8200	11000	7310ACM/DB	64.3			60		104	2	1	2.32
50	110	54	2	1	117	98	8200	11000	7310ACM/DF		10.3		60		104	2		2.41
50	110	54	2	1	117	98	8200	11000	7310AC/DB	64.3			60		104	2	1	2.09
50	110	54	2	1	113	88	8200	11000	7310BM/DB	94.1			60		104	2	1	2.35
50	110	54	2		113	88	8200	11000	7310BM/DFYA 3		40.1		60	100		2		2.35
50	110	54	2		122	102	8200	11000	7310CM/DF		5.6		60	100		2		2.41
50	110	54	2	1			4300	5600	7310BM/DB	47			61	99		2	1	2.38
50	110	54	2	1			4300	5600	7310BM/DFYA 3		47		61	99		2	1	2.38
55	90	36	1.1	0.6	50.7	51	9200	1200	7011ACQ5/DB	51.8			62		85	1	0.6	0.947
55	90	36	1.1	0.6	53	54			7011C/DT			28.4	62	85				0.772
55	100	42	1.5	0.6	82	76	4300	5600	7211ACM/DB	57.1			64		91	1.5	1	1.4
55	100	42	1.5	0.6	80.5	78	9000	12000	7211CHA/P4A DBA	41.8			64		91	1.5	1	1.26
55	120	58	2	1	143	126	4000	5000	7311ACM/DB	69.8			66		109	2	1	3.3
55	120	58	2	1	143	126	4000	5000	7311AC/DB	69.8			66		109	2	1	2.88
55	120	58	2	1	127	113	7500	9900	7311BM/DB	102.4			65		114	2	1	13.55
55	120	58	2	1	127	112	3800	5000	7311BM/DT			51	66	109		2	1	3.22
55	120	58	2	2	143	126	3800	5000	7311ACM/DF		51		66	109		2	1	3.3
60	95	36	1.1	0.6	58	60	6000	8000	7012AC/DBB	62.7			60		90		0.6	0.785
60	95	36	1.1	1.1	57	61	6000	8000	7012CHA/P4A DBA	62.7			60		90		0.6	0.816

60	95	36	1.1	0.6	54	58	6000	8000	7012ACHA/P4 DTA				60		90		0.6	0.816
60	95	36	1.1	0.6	54	58	6000	8000	7012ACHATN1 /P4DTCX				60		90		0.6	0.815
60	110	44	1.5	0.6	72.5	98.8	7700	10000	7212C/DT			22	69	101		1.5		1.57
60	110	44	1.5	0.6	89.5	86	7700	10000	7212ACM/DB	61.6			69		101	1.5	1	1.9
60	110	44	1.5	0.6	89.5	86	4000	5300	7212ACM/DB	47			69	101		1.5	1	1.89
60	110	44	1.5	0.6	74	77	4000	5300	7212ACHA/P4 DBB	47			69	101		1.5	1	1.86
60	110	44	1.5	0.6	74	77	4000	5300	7212ACHA/P5 DBB	47			69	101		1.5	1	1.86
60	110	44	1.5	0.6	74	77	4000	5300	7212ACHA/P5 DBBSJ	47			69	101		1.5	1	1.86
60	130	62	2.1		154	134	4000	5000	7312ACM/DF		13.3		72	118		2		4.05
60	130	62	2.1	1.1	106	138	5600	7800	7312BT/DB	111			69		127	2	1	1.83
60	130	62	2.1	1.1	155	135	6900	9200	7312AC/DB	75.3			72		123	2	1	3.61
60	130	62	2.1	1.1	179	120	3600	4800	7312BM/DB	55			72	118		2	1	4.28
60	130	62	2.1	1.1	154	134	3600	4800	7312ACM/DB	55			72	118		2	1	4.24
60	130	62	2.1	1.1	154	134	3600	4800	7312ACM/DT			55	72	118		2		4.24
60	130	62	2.1	1.1	154	134	3600	4800	7312ACM/DF		55		72	118		2	1	4.24
65	100	36	1.1	0.6	54.6	62	7800	10000	7013AC/DT			28.2	72	93		1		0.828
65	100	36	1.1	0.6	48	52	7800	10000	7013AC/DBB									0.824
65	100	36	1.1	0.6	48	52	7800	10000	7013ACHA/P4 DBA									0.811
65	120	46	1.5	0.6	118	117	7100	9500	7213ACQ5/DB YA3	66.1			74		114	1.5	1	2.43
65	140	66	2.1	1.1	186	169	6400	8500	7313AC/DB	60			77		133	2	1	4.47
65	140	66	2.1	1.1	157	169	3200	4300	7313ACM/DB	60			77	128		2	1	5.12
65	140	66	2.1	1.1	165	150	3200	4300	7313BM/DF		60		77	128		2	1	4.96
65	140	66	2.1	1.1	165	150	3200	4300	7313BM/DT			76.5	77	128		2	1	4.96
70	110	40	1.1	1.1	58.5	86	6900	9200	7014CM/P5DB	62			77		102	1	1	1.45
70	110	40	1.1	0.6	71.5	82	6900	9200	7014AC/DBB									1.25
70	110	40	1.1	1.1	58.5	86	7300	9700	7014C/DB	44.1			77	103	105.5	1	0.6	1.25

70	110	40	1.1	1.1	62	73	7300	9700	7014AHA/P4D BA	44.1			77	103	105.5	1	0.6	1.27
70	110	40	1.1	0.6	65	75	7300	9700	7014ACHA/P4 DBA	44.1			77	103	105.5	1	0.6	1.25
70	125	48	1.5	0.6	124	123	3300	4600	7214ACM/DB	69.5			79		116	1.5	1	2.47
70	125	48	1.5	0.6	108	108	3300	4600	7214BM/DT			52.9	79	116		1.5		2.54
70	150	70	2.1	1.1	209	193	5900	7900	7314ACM/DB	86.3			82		143	2	1	6.08
70	150	70	2.1		209	193	5900	7900	7314ACM/DF		16.3		82	138		2		5.93
70	150	70	2.1	1.1	186	173	3800	5000	7314BM/DB	127.3			82		143	2	1	6.32
70	150	70	2.1		185	171	3000	4000	7314BM/DT			64	82	138		2		6.32
70	150	70	2.1	1.1	209	192	3000	4000	7314ACM/DB	64			82	138		2	1	6.27
70	150	70	2.1	1.1	209	192	3000	4000	7314ACM/DBY A8	64			82	138		2	1	6.25
70	150	70	2.1	2.1	75	82	3000	4000	7314ACM/DF		64		82	138		2	1	6.12
70	180	84	3	3	240	236	2400	3400	7414BM/DFA		74		86	164		2.5	1	11.3
70	110	40	1.1	1.1	65	75			7014ACTN1/P 4DBA	62			71	103				1.24
75	115	40	1.1	1.1	69	83.5	6000	8000	7015ACHATN1 /P4DTCX				80		110		0.6	1.29
75	130	50	1.5	0.6	112	116	6200	8200	7215BM/DB	111			84		124	1.5	1	2.63
75	130	50	1.5	0.6	103	113	3200	4300	7215CHATN1/ P4DTCX			56	84	121		1.5	1.5	2.51
75	160	74	2.1	1.1	228	218	5500	7400	7315ACM/DB	91.8			87		153	2	1	7.09
75	160	74	2.1	1.1	228	218	5500	7400	7315ACM/DT			45.9	87	148		2		7.09
75	160	74	2.1	1.1	228	218	5500	7400	7315ACQ1/DT			45.9	87	148		2		7.04
75	160	74	2.1	1.1	203	194	3600	4800	7315B/DT			67.8	87	148		2		6.51
75	160	74	2.1	1.1	203	194	3600	4800	7315BQ1/P6D TGASO			67.8	87	148		2		7.41
75	160	74	2.1	1.1	190	218	2800	3800	7315ACM/DB	68			87	148		2	1	7.3
75	160	74	2.1	1.1	202	195	2800	3800	7315BM/DB	135.6			87	148		2	1	6.81
75	160	74	2.1	2.1	202	194	2800	3800	7315BM/DF		61.6		87	148		2	1	6.81
75	160	74	2.1	2.1	202	194	2800	3800	7315BM/DT			117	87	148		2	1	6.81
75	160	74	2.1	1.1	190	218	2800	3800	7315ACM/DT			68	87	148		2		7.3

80	125	44	1.1	0.6	89.7	105	6400	8500	7016ACM/DB	69.8			87		120	1	0.6	1.97
80	125	44	1.1	0.6	89.7	105	6400	8500	7016AC/DBB	69.8			87		120	1	0.6	1.7
80	125	44	1.1	0.6	83	99	6400	8500	7016ACHA/P5 DBA	69.8			87		120	1	0.6	1.85
80	125	44	1.1	0.6	77	105	6400	8500	7016ACM/DB	69.8			87		120	1	0.6	2
80	125	44	1.1	0.6	79	95	6400	8500	7016AHA/P4D BB	69.8			87		120	1	0.6	1.85
80	125	44	1.1	0.6	83	99	6400	8500	7016ACHA/P4 DBAZH	69.8			87		120	1	0.6	1.85
80	140	52	2	1	150	158	6400	8500	7216AC/P4DB B	59			91	129		2	1	2.97
80	140	52	2	1	150	158	6400	8500	7216ACQ5/DB YA3	77.5			90		134	2	1	3.26
80	140	52	2	1	150	158	3000	4000	7216ACM/DB	77.5			91		129	2	1	3.46
80	140	52	2	1	107	123	3000	4000	7216ACHA/P5 DBB	59			91	129		2	1	3.1
80	170	78	2.1	1.1	218	218	3400	4500	7316BM/DT			71.9	92	158		2		8.5
80	170	78	2.1	1.1	246	245	2500	3600	7316ACM/DB	97.3			92		158	2	1	8.18
80	170	78	2.1	1.1	246	245	2500	3600	7316AC/DB	97.3			92		158	2	1	7.17
80	170	78	2.1	1.1	220	218	2600	3600	7316BM/DB	143			92	158		2	1	8.3
80	170	78	2.1	2.1	220	218	2600	3600	7316BM/DF		65.8		92	158		2	1	8.3
80	170	78	2.1	2.1	220	218	2600	3600	7316BM/DT			124	92	158		2	1	8.3
80	200	96	3	1.1	320	339	4000	6000	7416AC/DT			56.7	94	186		2.5		14.4
85	130	44	1.1	0.6	84.5	104	4300	5600	7017ACHA/P4 DBA	84.1			90		125		0.6	1.85
85	150	56	2	1	148	151	5400	7200	7217BM/DB	126.7			95		144	2	1	4.47
85	150	56	2	1	162	174	2800	3800	7217ACM/DB	63			96	139		2	1	4.22
85	150	56	2	1	157	144	2800	3800	7217BM/DB	64			96	139		2	1	4.53
85	180	82	3	1.1	265	273	4900	6500	7317ACM/DB	102.8			99		173	2.5	1	9.78
85	180	82	3	1.1	265	275	4900	6500	7317AC/DB	102.8			99		173	2.5	1	8.7
85	180	82	3		265	273	4900	6500	7317ACM/DF		20.8		99	166		2.5		9.78
85	180	82	3	1.1	230	240	2400	3400	7317BM/DT			76	99	166		2.5	2.5	9.78
85	180	82	3	1.1	236	244	2400	3400	7317BM/DB	76			99	166		2.5	1	9.78

85	180	82	3	1	265	275	2400	3400	7317ACM/DBY A8	76			99	166		2.5	1	10
85	180	82	3	1.1	230	240	2400	3400	7317BM/DT			76	99	166		2.5		10
90	140	48	1.5	0.6	110	131	3800	5300	7018AC/DBB	90.4			96		134		1	2.36
90	140	48	1.5	0.6	102	125	3800	5300	7018ACHA/P4 DBA	90.4			96		134		1	2.35
90	140	45	1.5	1	65	90	3800	5300	SV7018X2ATY N/P4ADBA	90.4			96		134		1	2.48
90	140	48	1.5	0.6	102	125	3800	5300	7018ACHA/P5 DBB	90.4			96		134		1	2.35
90	140	48	1.5	0.6	120	145	3800	5300	7018CHA/P4D BAZH	90.4			96		134		1	2.34
90	190	86	3	1.1	286	305	4500	6300	7318ACM/DB	108.2			104		173	2.5	1	12.2
90	140	48	1.5	0.6	102	125	4500	6300	7018ACTN1/P 4DBA	77.6			99		133	1.5	0.6	2.34
90	160	60	2	1	166	176	3400	4500	7218B/P4DFA		74.9		105	145		1.5	0.6	4.78
90	140	48	1.5	0.6	102	125	4500	6300	7018ACTN1/P 5DBA	77.6			99		133	1.5	0.6	2.34
90	190	86	3	1.1	250	270	4500	6300	7318BM/DT			138.9	104	176		2.5		10.3
95	170	64	2.1		215	229	4800	6400	7219ACQ5/DF		29.8		107	158		2		5.95
95	170	64	2.1	1.1	215	228	2400	3400	7219AC/DBB	72			107	158		2	1	5.36
95	200	90	3	1.1	306	335	4300	5800	7319ACM/DB	113.8			109		193	2.5	1	12.6
95	200	90	3		305	335	2000	3000	7319ACM/DF		23.8		109	186		2.5		13.3
95	200	90	3		355	300	4000	5000	7319BM/DF		78.8		109	186		2.5		13.4
95	200	90	3	1.1	273	300	2000	3000	7319BM/DB	84			109	186		2.5	1	13.4
95	200	90	3	1.1	306	335	2000	3000	7319ACM/DB	84			109	186		2.5	1	13
95	200	90	3	1.1	273	300	2000	3000	7319BM/DB	84			109	186		2.5	1	12.6
95	200	90	3	3	273	300	2000	3000	7319BM/DF		84		109	186		2.5	1	12.6
95	200	90	3	3	273	300	2000	3000	7319BM/DT			61.5	109	186		2.5		12.6
95	200	90	3	3	305	335	2000	3000	7319ACM/DF		84		109	186		2.5	1	13
100	150	48	1.5	0.6	111	141	3600	5000	7020AHA/P4D BA	96.2					144		1	2.49
100	150	48	1.5	0.6	124	154	3600	5000	7020AC/DBB	96.2					144		1	1.3

100	150	48	1.5	0.6	116	146	3600	5000	7020ACHA/DB A	96.2					144		1	2.49
100	150	45	1.5	1	69	94	3600	5000	SV7020X2ATY N/P4ADBA									2.68
100	150	48	1.5	0.6	124	154	3600	5000	7020AC/DB	96.2					144		1	2.49
100	150	48	1.5	0.6	116	146	3600	5000	7020ACHA/P4 DBB	96.2					144		1	2.49
100	150	48	1.5	0.6	118	154	3600	5000	7020ACHA/P4 DBBZH	96.2					144		1	2.55
100	180	68	2.1	1.1	242	260	4600	6100	7220ACM/DB	99.3			112		173	2	1	7.14
100	215	94	3		345	395	1900	2800	7320ACM/DF		26.5		114	201			2	19.2
100	215	94	3		305	355	1900	2800	7320BM/DF		85.2		114	201			2	16.8
100	215	94	3	1.1	309	354	4100	5500	7320BT/DT			89.6	114	201			2.5	15.2
100	215	94	3	1.1	345	395	1900	2800	7320ACM/DB	90			114	201			2.5	19.4
100	215	94	3	1.1	310	355	2200	3200	7320BM/DB	76			112	168			2	16.8
100	215	94	3	1.1	345	395	1900	2800	7320ACM/DB	90			114	201			2.5	19.2
105	225	98	3	1.1	330	390	1800	2600	7321BM/DB	94			119	211			2.5	19
105	225	98	3	3	330	390	1800	2600	7321BM/DF		94		119	211			2.5	19
110	170	56	2	1	165	213	4500	6300	7022CM/DBYA 3	65.5					164		1	4.82
110	200	76	2.1	1.1	299	342	4100	5500	7222CM/DB	79.5			122		188	2	1	10
110	200	76	2.1	1.1	286	325	2000	3000	7222ACM/DB	103.3			122		188	2	1	9.47
110	200	76	2.1	1.1	250	289	4000	6000	7222BM/P5DB CB	167.9			122		188	2	1	7.92
110	200	76	2.1	1.1	299	340	1900	2800	7222CM/DB	84			122	188			2	9.67
110	200	76	2.1	1.1	250	289	1900	2800	7222BM/DB	85			122	188			2	7.92
110	240	100	3	1.1	389	463	3700	5000	7322ACM/DT			65.8	124	226			2.5	19.8
110	240	100	3		389	463	3700	5000	7322ACM/DF		31.6		124	226			2.5	19.9
110	240	100	3	1.1	347	425	3700	5000	7322BM/DB	198.5			124		233	2.5	1	22.9
110	240	100	3		347	425	3700	5000	7322BM/DF		98.5		124	226			2.5	23.5
110	240	100	3	1.1	385	465	1700	2400	7322ACM/DB	99			124	226			2.5	20.4
110	240	100	3	1.1	385	465	1700	2400	7322ACM/DB	99			124	226			2.5	19.9
110	240	100	3	3	385	465	1700	2400	7322ACM/DF		99		124	226			2.5	20.4

110	240	100	3	1.1	385	465	1700	2400	7322ACM/DT			99	124	226		2.5		20.4
120	180	56	2		164	214	4200	5600	7024AC/DF		42		130	170		2		4.62
120	180	56	2	1	140	185	2000	2900	7024BM/DT			77	130	170		2		
120	180	56	2	1	148	199	1900	2800	7024AHA/P4DBA	77			129	171		2	1	4.27
120	180	56	2	1	153	206	1900	2800	7024ACHA/P4DBB	77			129	171		2	1	4.27
120	180	56	2	1	153	206	1900	2800	7024ACHA/P4DTA			77	129	171		2	1	4.27
120	180	54		1	153	205	1900	2800	SV7024X2ATN1/P4ADBA	77			129	171		2	1	4.16
120	180	54		1	153	205	1900	2800	SV7024X2ATYN/P4ADBA	77			129	171		2	1	4.16
120	215	80	2.1	1.1	307	367	3800	5000	7224ACQ5/DB	118.1			132		208	2	1	13.1
120	215	80	2.1	1.1	300	367	1700	2400	7224ACM/DBSH	90			132	203		2	1	12.3
120	215	80	2.1	2.1	300	367	1700	24	7224ACM/DF		90		132	203		2	1	12.3
120	260	110	3		400	540	3300	4500	7324AC/DF		33.6		134	246		2.5		27.4
120	260	110	3	1.1	410	525	3300	4500	7324B/DT			107.2	134	246		2.5		29.2
120	260	110	3	1.1	430	540	1600	2200	7324AC/DB	107			134	246		2.5	1	27.4
120	260	110	3	3	405	525	1600	2200	7324B/DF		107		134	246		2.5	1	29.2
130	180	48	1.5	0.6	130	190	3400	4800	71926ACM/DT	96.3					174		1	3.78
130	200	66	2	1	198	260	2600	3600	7026AC/DT						194		1	6.75
130	200	63	2	1	126	179	2600	3600	SV7026X2ATYN/P4ADBA						194		1	6.76
130	230	80	3	1.1	278	350	1800	2600	7226BM/P5DBC	191			144		216	2.5	1	15.1
130	230	80	3	1.1	320	400	1700	2400	7226ACM/DB	96			144	216		2.5	1	14
130	230	80	3	3	320	400	1700	2400	7226ACM/DF		96		144	216		2.5	1	14
130	280	116	4		403	537	3000	4000	7326B/DF		114		148	262		3		35.9
130	280	116	4	1.5	403	537	3000	4000	7326B/DT			115.1	148	262		3		35.9
130	280	116	4	1.5	455	605	1500	2000	7326ACM/DB	115			147	263		3	1.5	36.1
130	230	80	3	1.1	278	350	1800	2600	7226BM/DT			171	152	209		2.5	1	15.1
130	230	80	3	1.1	278	350	1800	2600	7226BM/DF	111			152	209		2.5	1	15.1

130	230	80	3	1.1	335	420	1900	2800	7226C/P4DFA		8		148	213		2.5	1	12.5
140	210	66	2		203	275	3600	4800	7028AC/DF		48.6		150	200		2		6.92
140	250	84	3	1.1	355	470	1600	2200	7228ACM/DBS H	103			154	236		2.5	1	16.9
140	250	84	3	1.1	309	414	3200	4200	7228BM/DB	205.8			154		243	2.5	1	17.2
140	250	84	3	1.1	309	414	3200	4200	7228BM/DT			184.8	154	228		2.5	1	17.2
140	250	84	3	1.1	310	415	1700	2300	7228BM/P5DB CB	205.6			154		243	2.5	1	17.2
140	300	124	4	1.5	447	616	2800	3800	7328B/DT			123.2	158	282		3		42.3
140	300	124	4	1.5	445	600	2900	3900	7328BA/DT			123	158	282		3		42.3
140	300	124	4	1.5	445	600	1400	1900	7328B/DB	123			157	283		3	1.5	42.3
140	300	124	4	4	445	600	1400	1900	7328B/DF		123		157	283		3	1.5	42.3
150	225	70	2.1	1.1	213	294	1700	2300	7030BM/DB	192.3			160		215	2	1	9.61
150	225	67.5	2.1	1.1	213	194	1600	2200	7030X2BM/P4 ADBA	96			160	215		2	1	9.57
150	270	90	3		310	430	1600	2000	7230B/DF		132		165	256		2.5		22
150	320	130	4		582	857	2600	3600	7330AC/DF		45.3		168	302		3		51.6
150	320	130	4		582	856	2600	3600	7330B/DF		132		168	302		3		52.3
150	270	90	3	1.1	315	444	1500	2000	7230BM/DB	111			164	256	2.5	23.7		23.4
160	229.5	66	3	1.5	151	256	3000	4000	72932X3BM/D BYA6	78.9					214		1	9.06
160	240	76	2.1	1.1	225	315	3100	4100	7032BM/DB	205.8			172		233	2	1	12
160	290	96	3	1.1	400	580	1300	1800	7232AC/DB	118			174	276		2.5	1	29
160	290	96	3	1.1	340	500	1400	1900	7232B/DB	236.8			174		276	2.5	1	27.8
160	290	96	3	1.1	340	500	1400	1900	7232B/DT			212.8	174	264		2.5		27.8
160	290	96	3	3	400	580	1300	1800	7232AC/DF		118		174	276		2.5	1	29
160	290	96	3	3	340	500	1300	1800	7232B/DF		118		174	276		2.5	1	27.8
160	340	136	4		547	819	2000	3000	7332B/DF		141.8		178	322		3		61.6
170	229.5	56	2		147	225	3600	4800	71934X1B/DF YA3		139		168	225		1.5		7.04
170	260	84	2.1	1.1	310	435	1500	2000	7034A/C2DB	166.2			181		249	2	1	15.6
170	260	84	2.1	1.1	272	380	1500	2000	7034B/DB	222.6			181		249	2	1	16.6

170	310	104	4	1.5	462	685	2900	3900	B7234AC/DT			82	181	249		3		34.8
170	310	104	4	1.5	495	740	1800	2500	7234AC/DT			82	181	249		3		34.1
170	310	104	1	1.5	495	740	1200	1700	7234AC/DB	127			187	293		3	1.5	34.1
170	360	144	4	1.5	570	905	1000	1500	7334B/DB	294			188		351.5	3	1.5	69.8
180	280	92	2.1	1.1	310	485	1200	1700	7036B/DT			119	192	269		2		21
180	280	92	2.1	1.1	355	525	1300	1800	7036CHA/P4DBA	119			191	269		2	1	19
180	320	104	4		400	645	1000	1500	7236B/DF		158		198	304		3		35
180	380	150	4	2	590	970	1000	1400	7336B/DT			156	198	362		3		81
190	260	66	2	1	162	274	2400	3400	71938CTYN/P5DBAX	93.3					254		1	9.58
190	260	66	2	1	162	274	2400	3400	71938C/P5DBAX	93.3					254		1	9.58
190	290	92	2.1	1.1	347	526	2600	3400	7038AC/DT			79	202	278		2		21.4
190	290	92	2.1	1.1	218	262	1200	1700	7038AC/DT			124	201	279		2		21.5
190	400	156	5	2	640	1100	900	1400	7338B/DT			164	210	380		4		97
200	280	76	2	1	310	480	2200	3200	71940A/DB	102					273		1	14.7
200	280	76	2.1	1.1	200	330	2200	3200	71940CTYN/P4ADBAX	102					273		1	6.76
200	280	76	2.1	1.1	200	330	2200	3200	71940CTYN/P4ADBAX	102					273		1	13.4
200	280	76	2.1	1.1	200	330	2200	3200	71940C/P4ADBAX	102					273		1	13.4
200	280	76	2.1	1.1	200	330	2200	3200	71940ACHA/P4DBB	102					273		1	13.5
200	289.5	76	3.5	2	232	420	2200	3200	71940X1B/DBYA6	102					273		1	16.9
200	310	102	2.1	1.1	370	575	1600	2100	7040B/DB	265			211		299	2	1	28.3
200	360	116	4	1.5	503	834	2200	3000	7240B/DB	292.9			218		351	3	1.5	51.6
200	360	116	4		589	974	2200	3000	7240C/DF		17		218	342		3		50.3
200	360	116	4		728	920	2200	3000	7240AC/DF		72.6		218	342		3		50.3
200	360	116	4	1.5	560	920	1300	1800	7240AC/DB	146			217	343		3	1.5	50.3
200	420	160	5	2	720	1270	900	1200	7340B/DT			170	220	400		4		108

220	300	76	2.1	1.1	275	475	1100	1600	71944C/P5DB BX	129			229		295	2	1	14.1
220	340	112	3	1.1	400	700	900	1300	7044B/DB	290			234		325	2.5	1	36.5
220	400	130	4	1.5	505	910	900	1200	7244B/DB	328			238		384	3	1.5	70.6
220	460	176	5		800	1450	800	1200	7344B/DF		198		240	440		4		142
230	329.5	80	2.1	1.1	358	605	900	1200	7646AMB/DB	201.6			245		321	2	1	22.7
230	329.5	80	2.1	1.1	360	605	900	1200	7646AMB/DB/ W281	202.6			246		321	2	1	22.7
240	320	76	2.1	1.1	305	510			71948C/P4DB BX									14.6
240	360	112	3		410	760	900	1200	7048B/DF		196		255	345		2.5		39
240	370	112	3						366748K		199.9		254	356		2.5		48.7
260	360	92	2.1		277	630	1300	1800	71952B/DF		214		272	348		2		28.8
260	400	130	4	4	520	970	1000	1500	7052B/DF/W2 81		171		277	383		1.5	3	60
260	400	130	4	4	520	970	1000	1500	7052B/DF		171		277	383		1.5	3	60
280	380	92	2.1	1.1	436	810	950	1400	71956AC/DB	200			292		372	2	1	31.4
280	380	92	2.1	1.1	410	745	950	1400	71956A/DBA	236.6			290		370	2	1	33.2
280	420	130	4	1.5	490	1000	800	1000	7056B/DB	358			298		404	3	1.5	60
310	429.5	120	3	1.1	460	890	800	1100	71962X3B/DB									52.2
310	429.5	120	3	1.1	460	890	800	1100	71962X3B/DB /W281									52.2
340	520	164	5		725	1620	660	900	7068B/DF		282		360	500		4		124
360	440	76	2.1	1.1	365	840	1500	1900	71872AC/DB	224			372		430	2	1	24
360	480	112	3	3	560	1250	740	1000	71972AC/DB	252			374		465	2.5	2.5	57.5
380	480	92	2.1	1.1	359	730	700	910	71876B/DB	601			392		473	2	1	37.2
380	520	130	4	4	640	1470	700	910	71976AC/DT			137	396	505		3		83.5
420	620	180	5	2	850	2130	520	700	7084B/DT			263	439	602		4		176
440	650	188	6		885	2190	500	650	7088BM/DF		263		461	548		4		221
460	580	112	3	3	580	1530	610	810	71892A/DT			178	474	567		2.5		68
500	620	74	2.1		430	1230	520	700	708/500A/DF		286		512	610		2		54.5
500	670	156	5	2	86	860	500	660	719/500A/DT			208	519	653		4		154

530	615	70	3	1.1	210	520	1000	1400	718/530X3AC/P5DB	296.7			544		608	2.5	1	37.1
530	650	112	3		620	1810	510	680	718/530A/DF		285		544	638		2.5		77
530	650	112	3	1.1	645	1850	910	1250	718/530AC/DB	331			544		638	2.5	1	77
530	710	164	5	2	1030	2530	500	700	719/530A/DB	440			552		700	4	2	189
530	710	164	5	2	845	2210	600	800	719/530B/DT			186	558	692	701	4	2	191
560	680	112	3	1.1	635	1850	470	620	718/560A/DT			207	575	667		2.5		95
560	750	170	5	2					719/560A/DB	463			612		697			218
600	730	120	3	3	740	2330	790	1100	718/600AC/DB	370			614		718	2.5	2.5	94.5
670	820	138	4	1.5	830	2510	380	500	718/670A/DT			250	686	806		3		156
710	870	148	4		955	3240	370	480	718/710AC/DF		294		726	856		3		192
710	950	212	5	2	1370	4500	640	850	719/710AC/DB	494			734		926	5	2.5	389
750	920	156	5		985	3450	310	420	718/750A/DF		404		768	902		4		220
1000	1420	260	7.5	2					70/1000X2AF3/P69DF									
1180	1420	212	6	4	1410	7300	180	270	718/1180ACM/DB	495			1250		1400	5		669
1180	1420	212	6	4	1410	7300	180	270	718/1180ACF3/DF		500		1235	1365				657
1320	1600	244	6		1930	8230	200	300	718/1320ACF3/DF		558.9		1348	1572		5		987